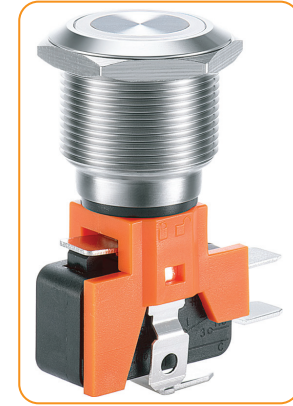
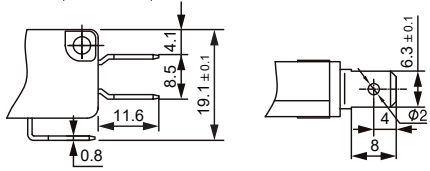
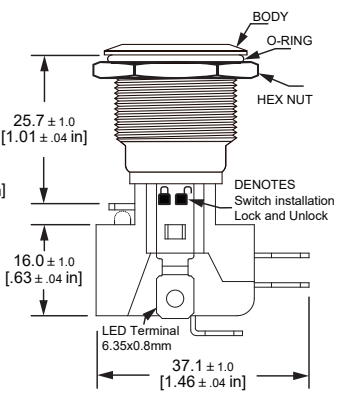
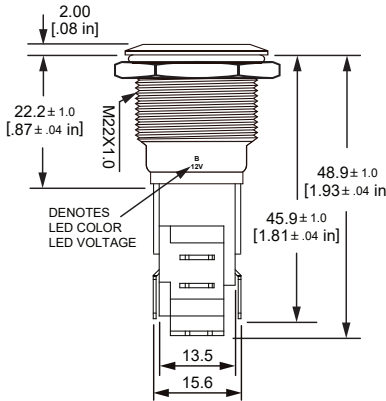
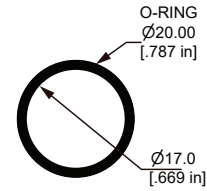
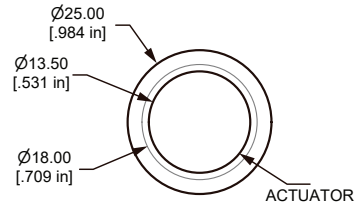
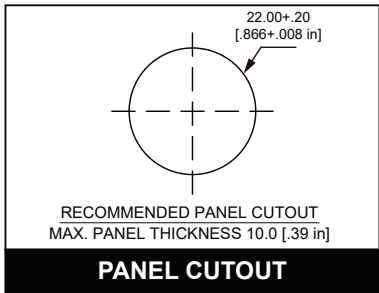


C = Common
 NO = Normally open
 NC = Normally closed

Terminals (-) and (+) used with Illum. option only



		PART NO.: 73937
HIGH CURRENT ANTI-VANDAL SWITCH		
FUNCTION	1NO MOMENTARY	
SIZE	22MM	
CURRENT	0.6A/125VDC	
FINISH	STAINLESS	
ILLUMINATION	NON-ILLUMINATED	
TERMINAL	QUICK CONNECT TERMINAL (6.35X0.8)	
PROTECTION	IP65 / IK10	
AUGUST 2024		
DIAGRAM NOT TO SCALE		